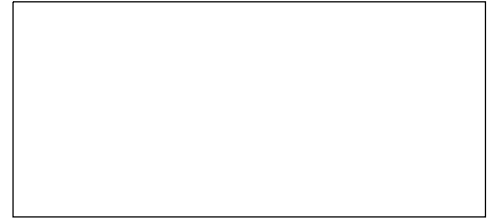


820

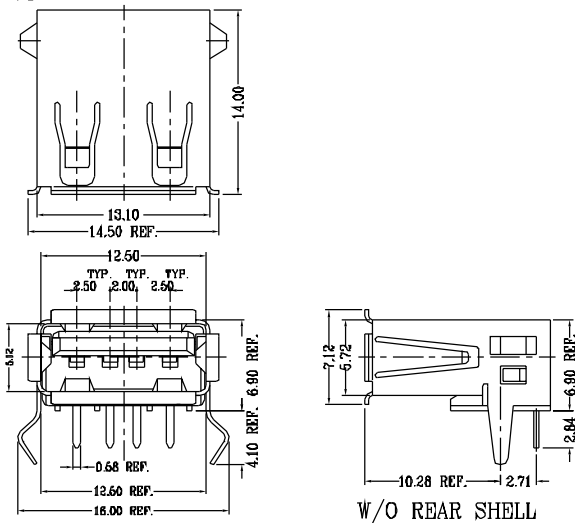
USB Female 90°

Technical data :

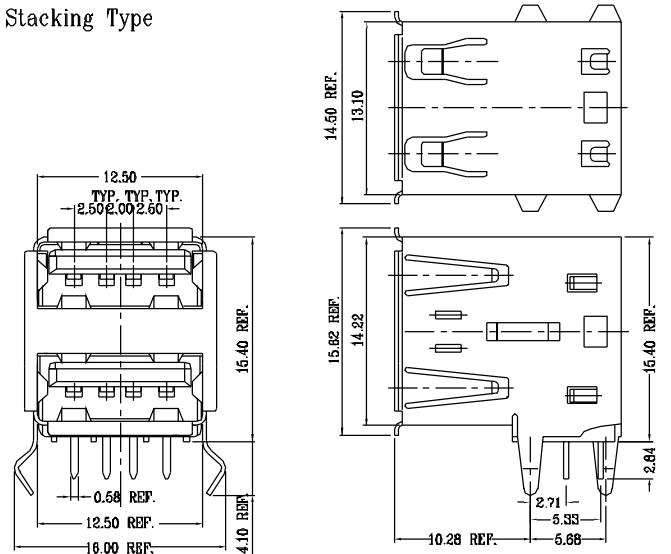
Housing : PBT or High Temperature Polyester & Glass Fiber,UL94-0
 Color : Beige or Black
 Contact : Phosphor Bronze
 Shell : Phosphor Bronze
 Voltage Current Rating : 1 AMP,30VAC
 Insulation Resistance : 1000Mohm Min.
 Contact Resistance : 30mohm Mix.
 Dielectric Withstanding Voltage : AC 750V
 Temperature Rating : -55°C to + 105°C



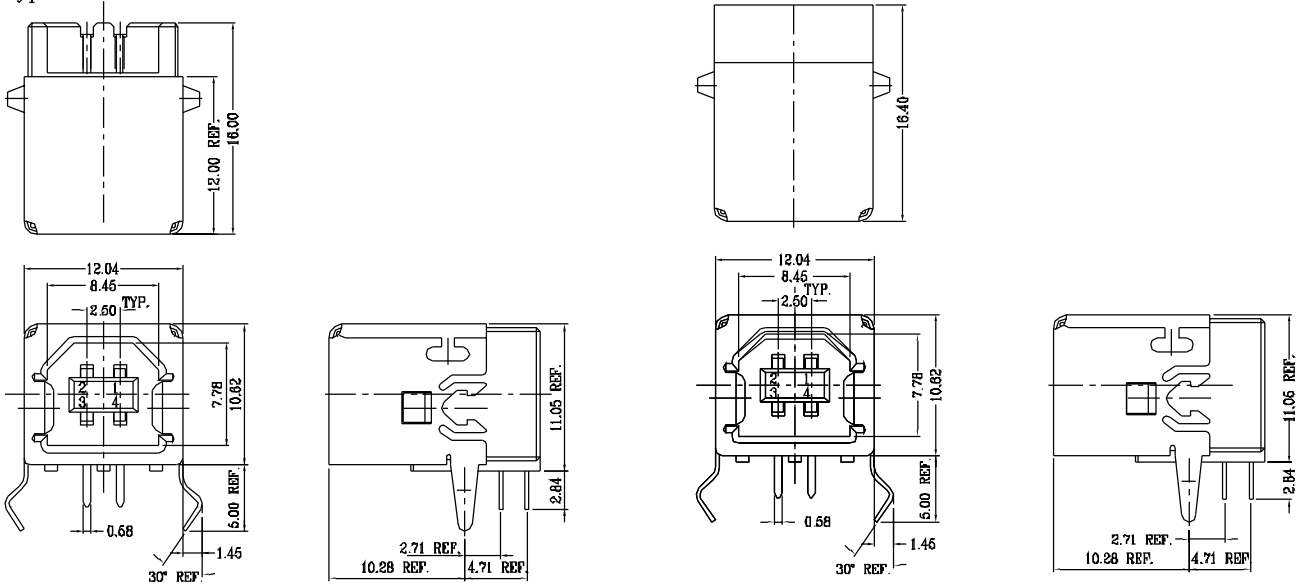
A Type



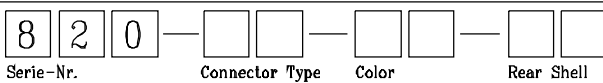
Stacking Type



B Type



How to order



Connector Type	Code
A Type	10
B Type	20
Stacking Type	30

Color Option	Code
Insulator: Black	10
Insulator: Beige	20

Rear Shell Option	Code
With Rear Shell	10